



# MOTORIZED SCREENS



*Create an outdoor escape  
fit for any lifestyle*

WHY US?

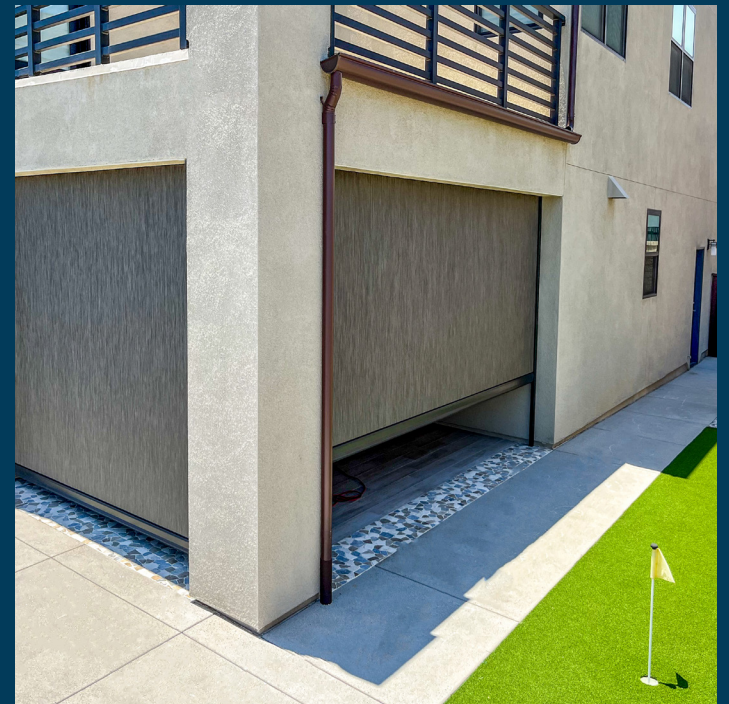
# CUSTOM BUILT TO YOUR EXACT SPECIFICATIONS

## Custom Frame Sizes

Custom built to fit your exact specifications. With spans of up to 30' and heights up to 20'.

## Fantastic Fit & Finish

- Five popular hardware colors
- Solar, insect, and privacy fabrics
- Three types of track options
- Multiple motor options, remotes & controls, and various everyday applications



WHY US?

# FASTEST TURNAROUND IN THE INDUSTRY



“

*Would have given 6 stars if I could! We highly recommend this company - high quality product that looks absolutely awesome. Love it!.*

*-Tom C.*

WHY US?

# BUILT TO LAST



PROTECTED WITH A  
LIFETIME LIMITED  
WARRANTY ON HARDWARE—JUST IN CASE

CONSTRUCTED WITH HIGH-END  
ANTI-CORROSION ALUMINUM

STAIN, MOLD AND  
MILDEW RESISTANT

FADE AND UV RESISTANT  
FOR LASTING DURABILITY



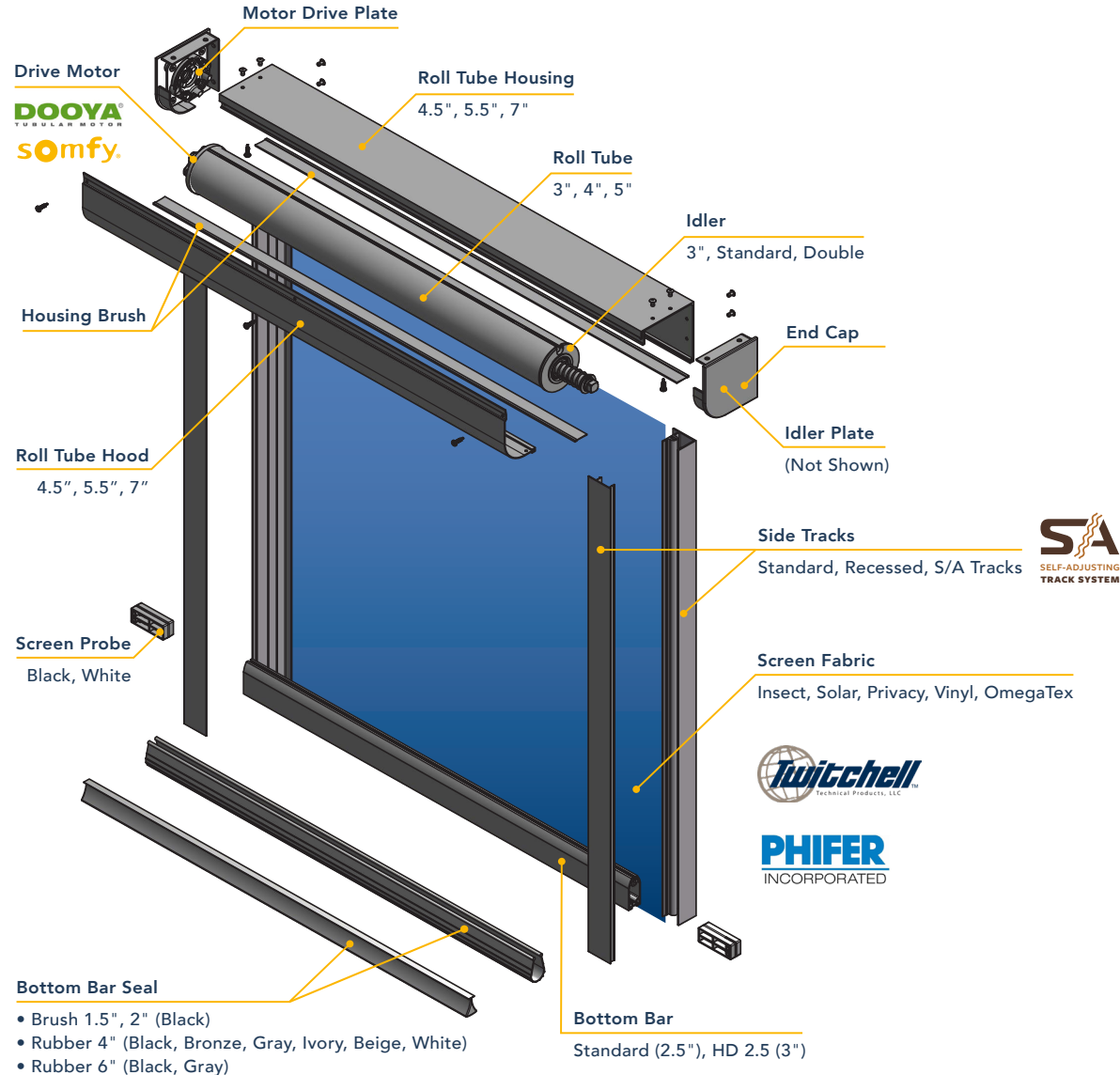
WHY US?

# PROUDLY MANUFACTURED IN THE USA



WHY US?

# PREMIUM FEATURES AT NO ADDITIONAL COST





“

Really happy with our newly installed garage screens. It's so elegant and very high quality! Turnaround Time was less than two weeks.

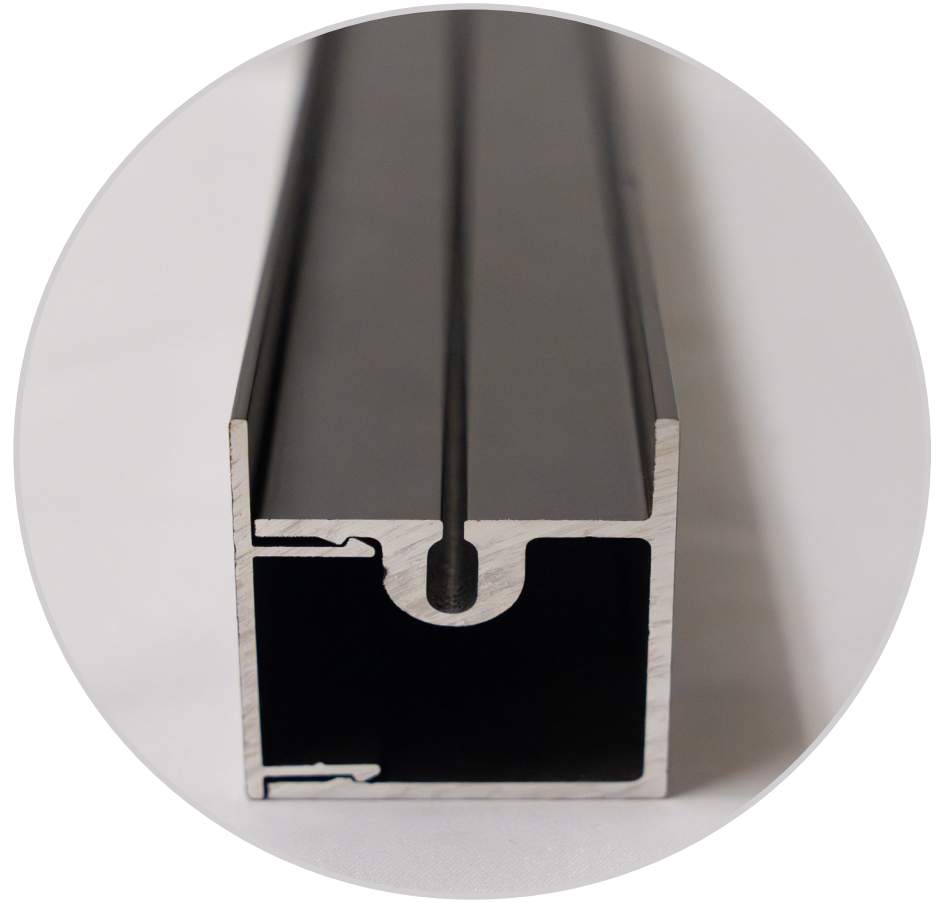
-Camelia M.

PREMIUM FEATURE

# BUILT-IN OBSTACLE DETECTION



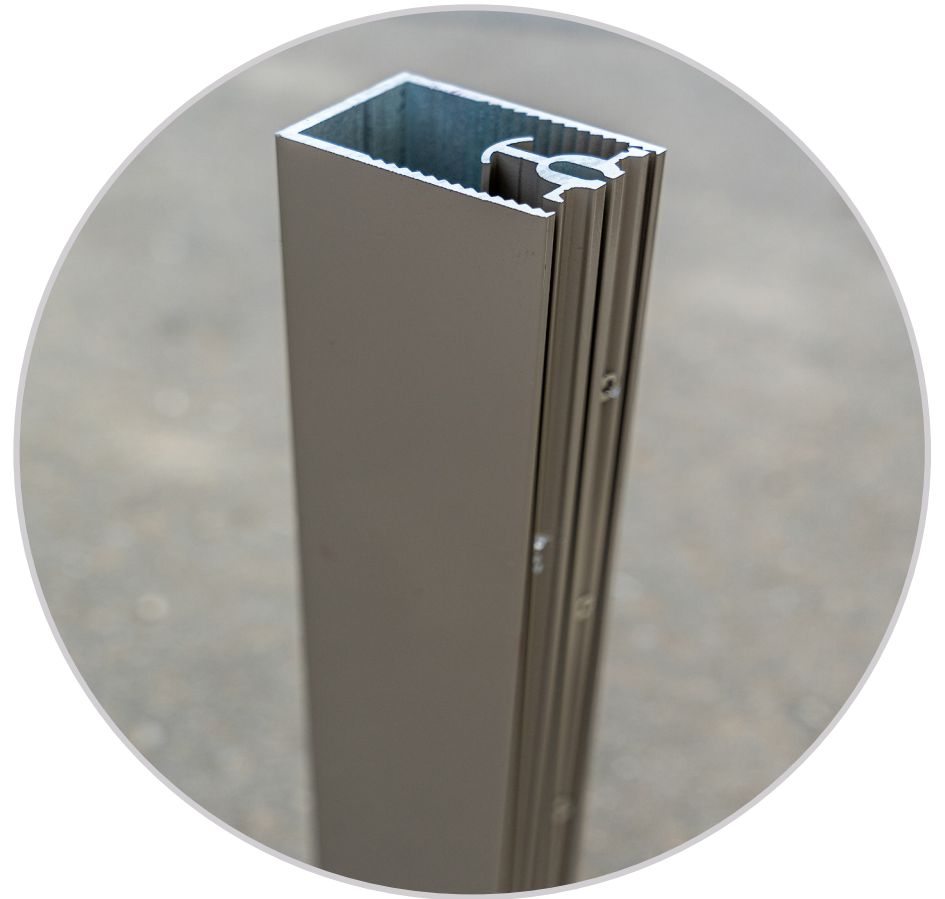
# TRADITIONAL SIDE TRACKS



To retrofit your  
existing home

PREMIUM FEATURE

# RECESSED SIDE TRACKS



For custom  
built-in applications

PREMIUM FEATURE

# SELF-ADJUSTING SIDE TRACKS



Eliminates unnecessary  
service calls

PREMIUM FEATURE

# INTEGRATED CASSETTE HOUSING

AVAILABLE IN FIVE POPULAR COLORS



Beige



Black



Bronze



Ivory



White



Custom

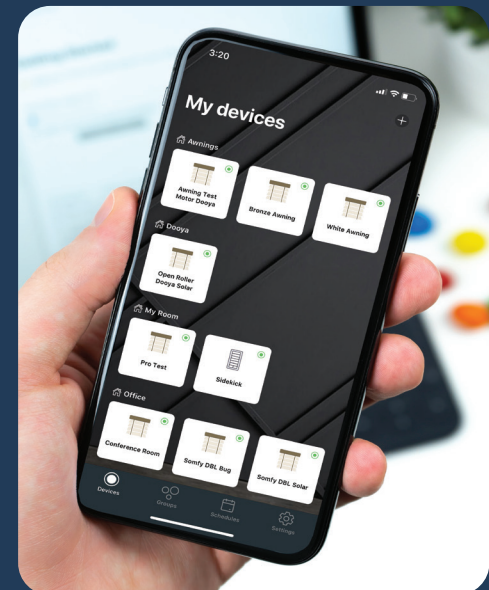
PREMIUM FEATURE

# WIRELESS REMOTE CONTROLS



Control multiple screens simultaneously

Option for Home Automation paired to any smart device





PREMIUM FEATURE

# THREE TYPES OF MOTOR OPTIONS

**DOOYA**<sup>®</sup>  
TUBULAR MOTOR

**somfy**<sup>®</sup>



# OPEN ROLLER CABLE OPTION

FOR SOLAR & PRIVACY APPLICATIONS

*Optional Hood & End Caps*



EVERYDAY APPLICATIONS

# PORCH & BALCONY



# EVERYDAY APPLICATIONS

# **GARAGE**



EVERYDAY APPLICATIONS

# PRIVACY



EVERYDAY APPLICATIONS

# INSECT PROTECTION



EVERYDAY APPLICATIONS  
**COMMERCIAL**



PROFESSIONAL INSTALLATION

# DEPENDABLE SERVICES WE STAND BY

1. Our Company

2. Our Values

3. Your Satisfaction





**weshadewell.com**

**sales@weshadewell.com**

**229-254-2423**